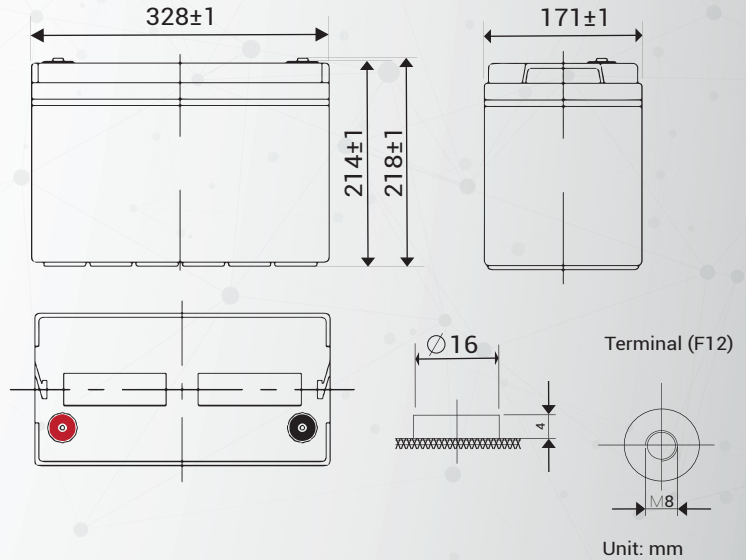


6MF-100

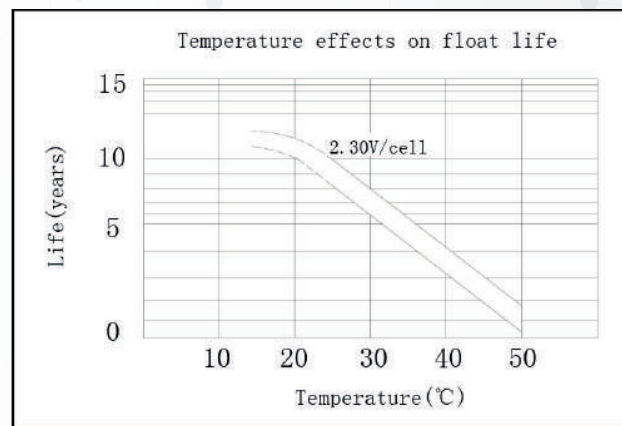
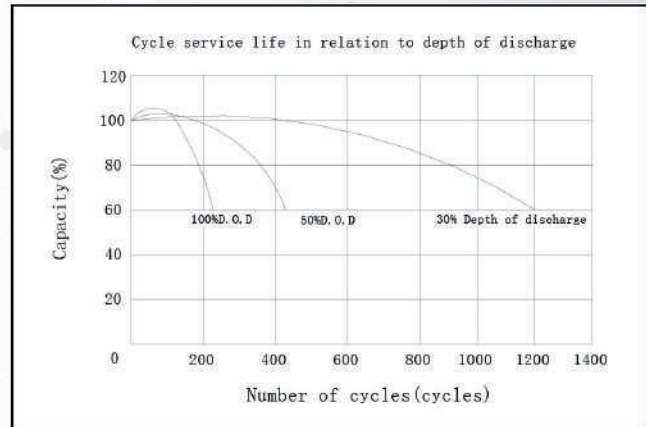
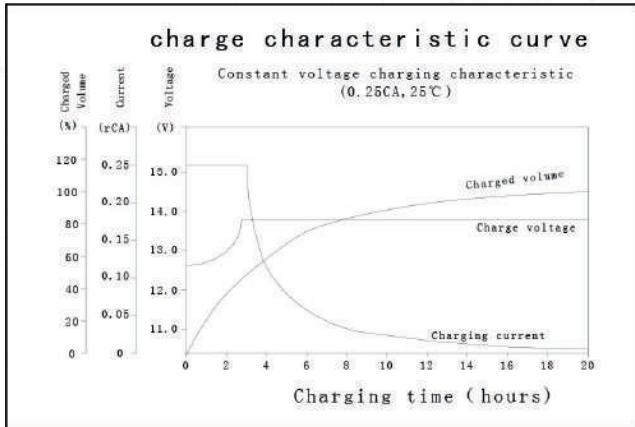


► Specifications

Nominal Voltage		12V
Number of cell		6
Rated Capacity (20 hour rate)		100Ah
Dimensions	Total Height (with terminals)	8.59 inch (218mm)
	Height	8.43 inch (214mm)
	Length	12.9 inch (328mm)
	Width	6.74 inch (171mm)
Weight		28.2Kg

► Characteristics

Capacity 77°F (25°C)	20 hour rate (5A)	100Ah
	1 hour rate (65A)	65Ah
Internal Resistance	Fully Charged battery 77° F(25°C)	5m Ω
Operating Temperature Range	Discharge -20~60°C	
	Charge -10~60°C	
	Storage -20~60°C	
Self-Discharge	3% of capacity declined per month at 20°C	
Max. Discharge Current 77° F(25°C)	900A (5S)	
Charge Methods	Constant Voltage Charge 77° F(25°C)	
	Cycle use 14.4 ~ 14.7V	
	Standby use 13.5 ~ 13.8V	



Constant Current Discharge Date (Amperes at 25°C)

End Voltage Per cell/V	10min	15min	20min	30min	1h	2h	3h	4h	5h	10h	20h
1.60	231.0	190.0	155.0	112.0	65.0	38.0	27.5	21.7	18.3	10.2	5.25
1.65	220.0	182.0	149.0	108.0	62.8	36.6	26.5	21.0	17.8	10.1	5.20
1.70	208.0	173.0	142.0	103.0	60.5	35.1	25.5	20.2	17.2	10.0	5.15
1.75	196.0	164.0	135.0	98.7	58.2	33.6	24.4	19.4	16.6	9.8	5.10
1.80	183.0	154.0	127.0	93.7	55.7	32.0	23.2	18.5	15.9	9.5	5.00

Constant Power Discharge Date (Watts per cell at 25°C)

End Voltage Per cell/V	10min	15min	20min	30min	1h	2h	3h	4h	5h	10h	20h
1.60	395.0	315.0	260.0	200.0	124.0	70.5	52.0	43.0	37.0	20.8	17.0
1.65	379.0	305.0	251.0	193.0	121.0	68.5	51.0	42.2	36.4	20.6	16.9
1.70	362.0	293.0	241.0	185.0	118.0	66.0	49.8	41.3	35.7	20.4	16.8
1.75	344.0	281.0	230.0	177.0	114.0	63.5	48.5	40.3	35.0	20.2	16.6
1.80	324.0	267.0	218.0	168.0	109.0	60.9	47.0	39.0	34.1	19.9	16.4